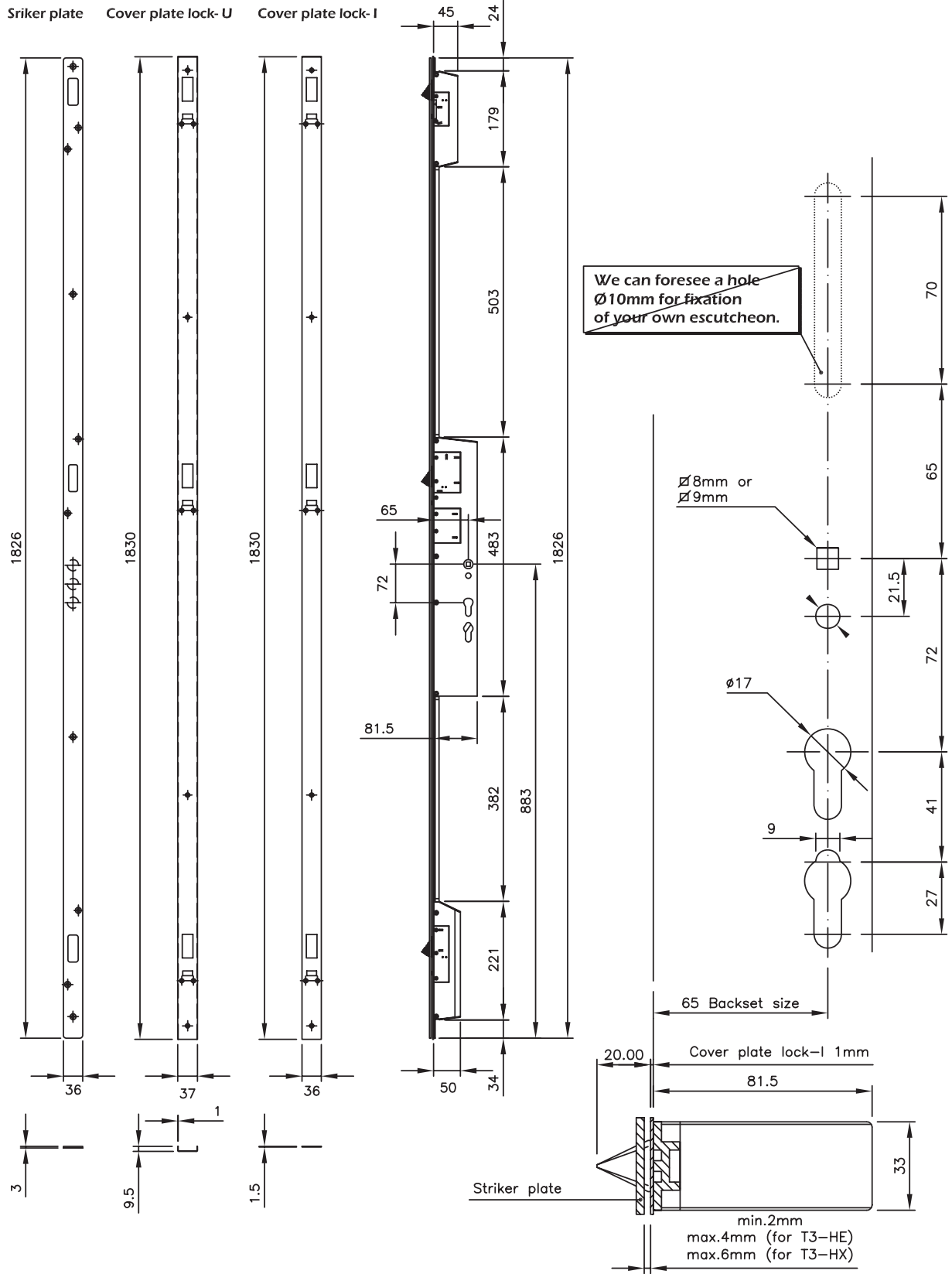


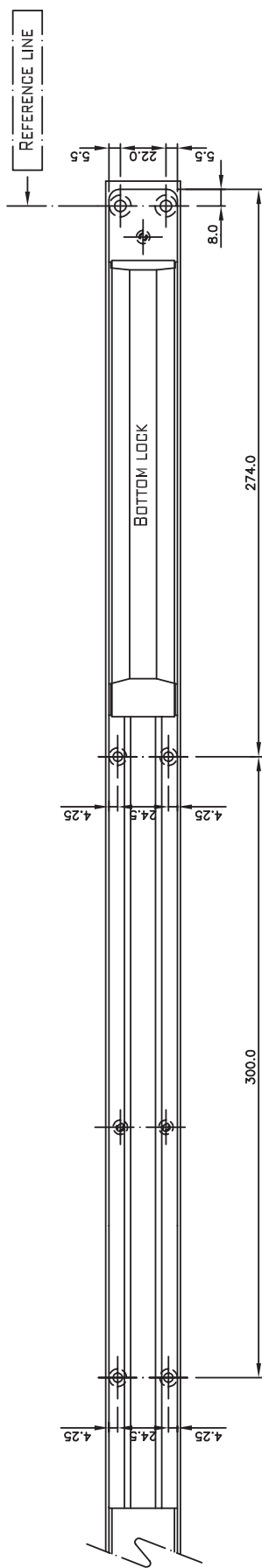
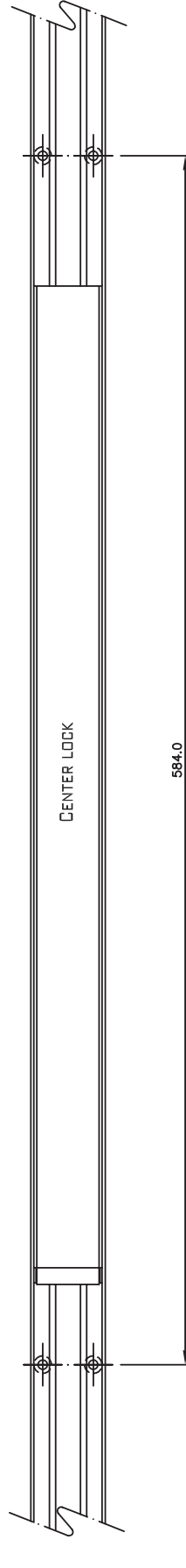
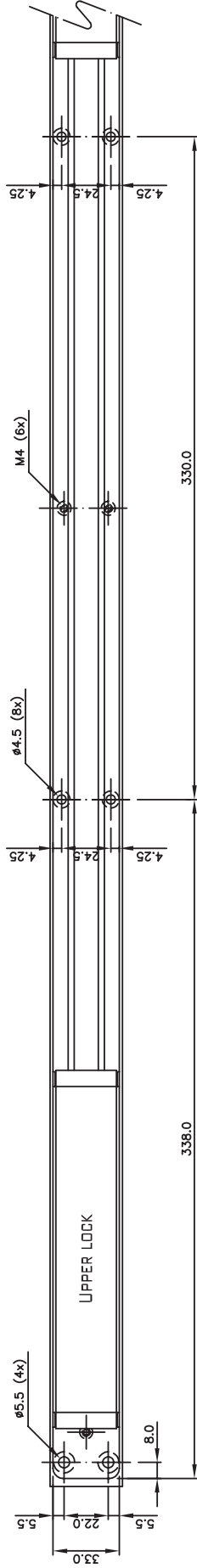
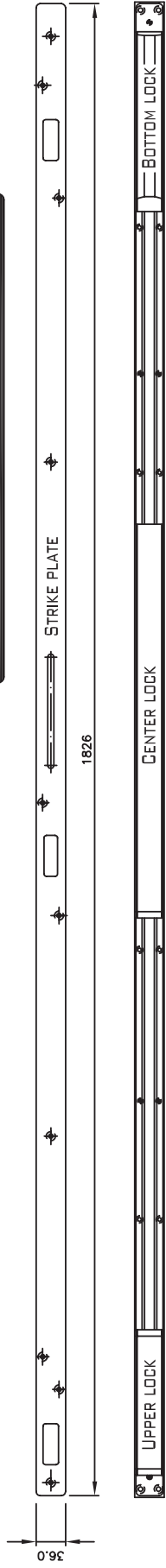
TRILOCK T3-3517 HE and T3-3517 HX

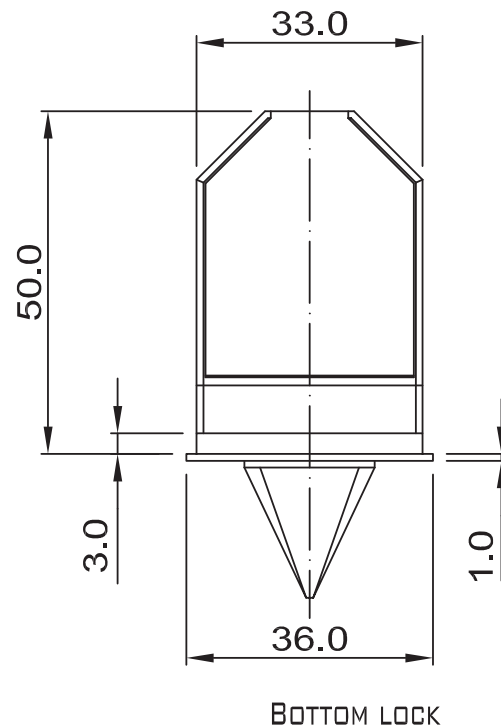
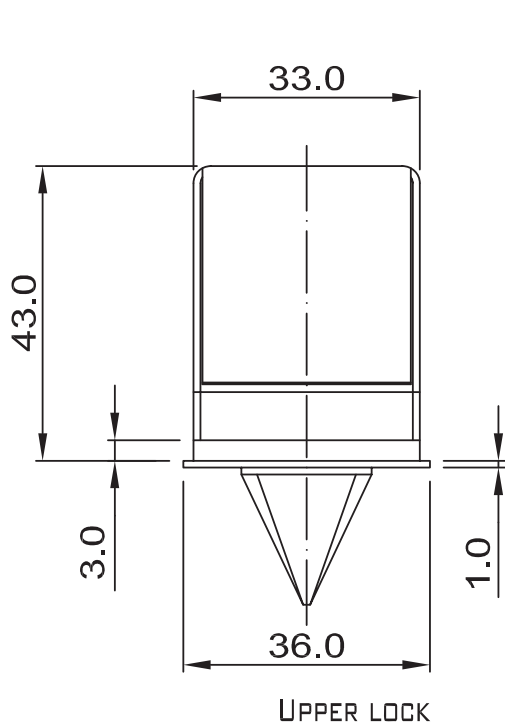
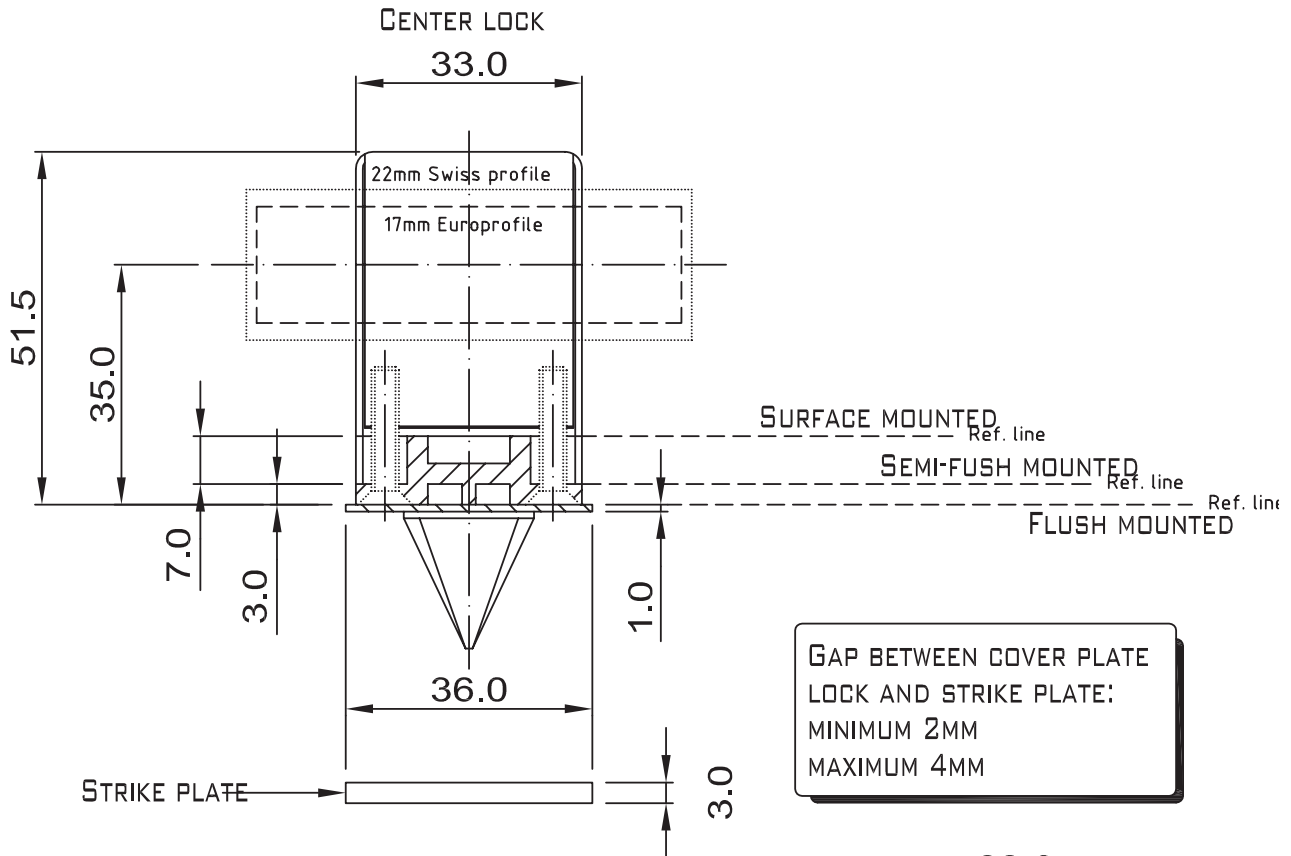
Euro Cylinder 17mm



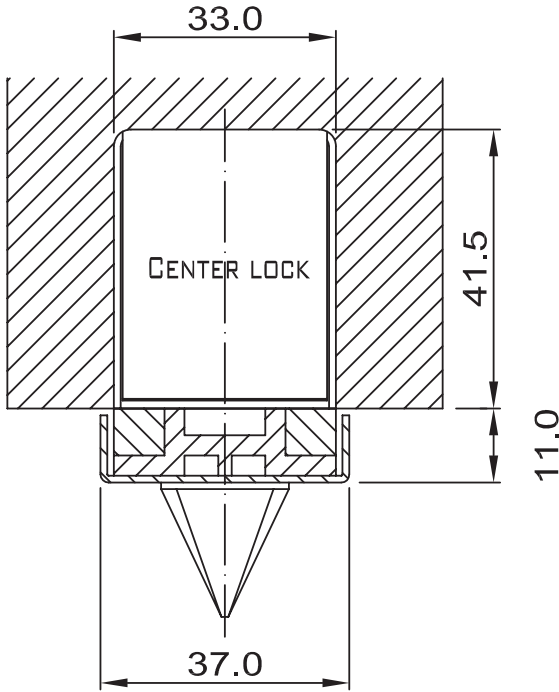
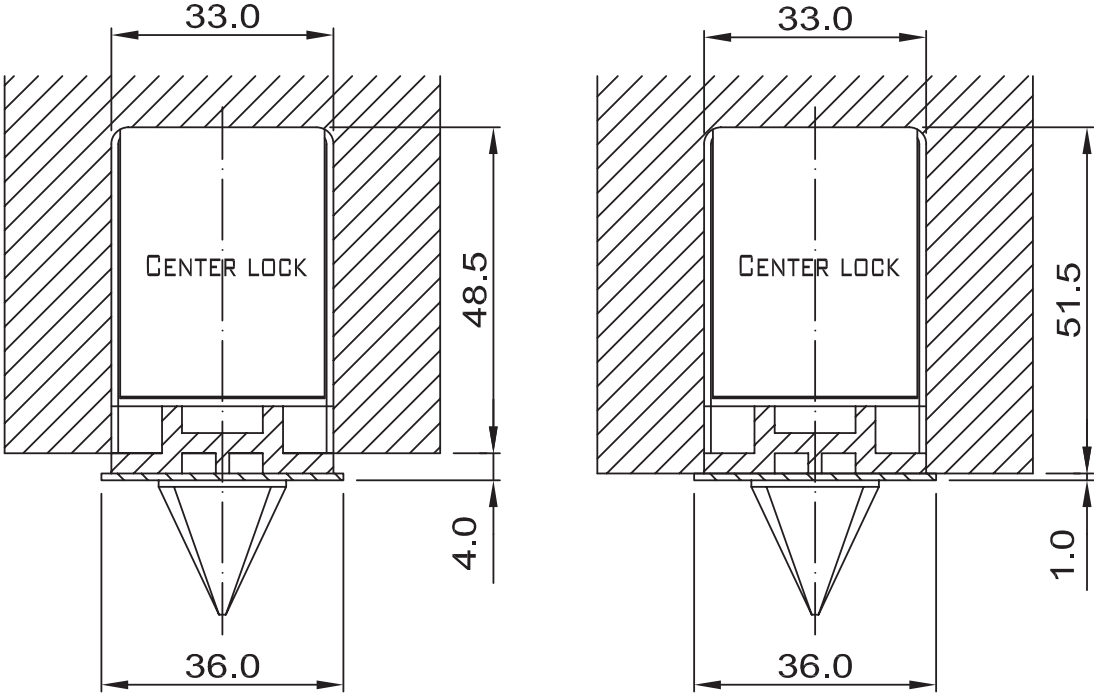
TRILOCK T3-6517 HE and T3-6517 HX

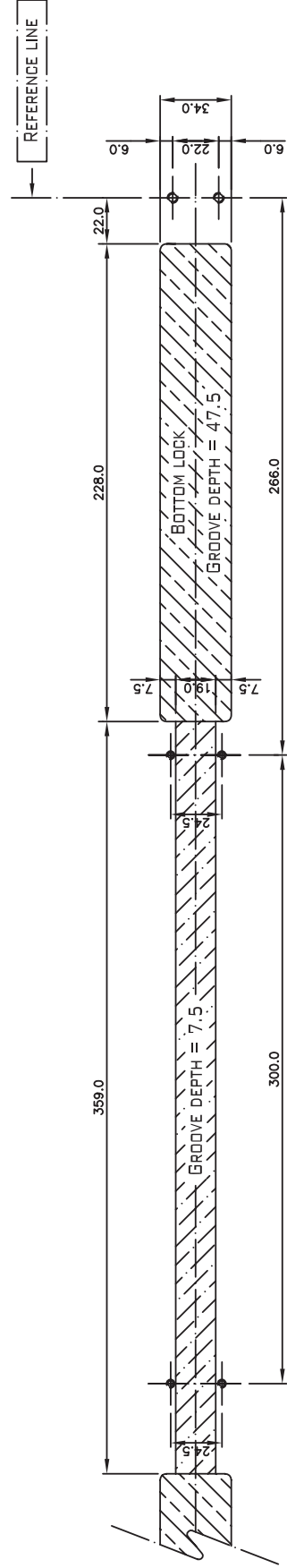
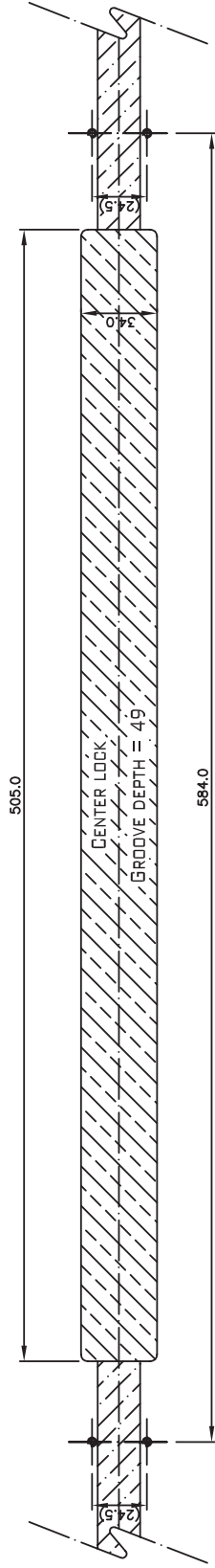
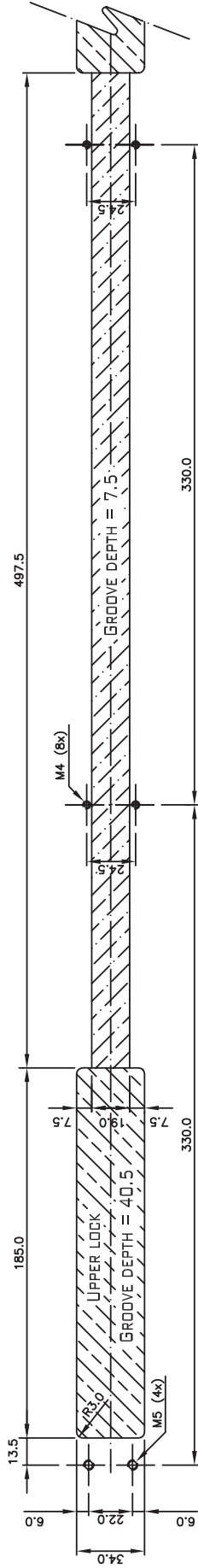
Euro Cylinder 17mm





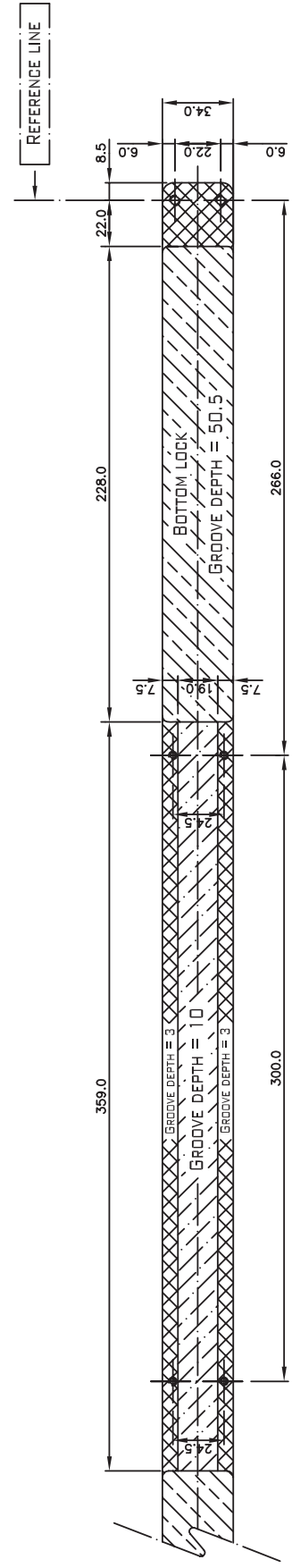
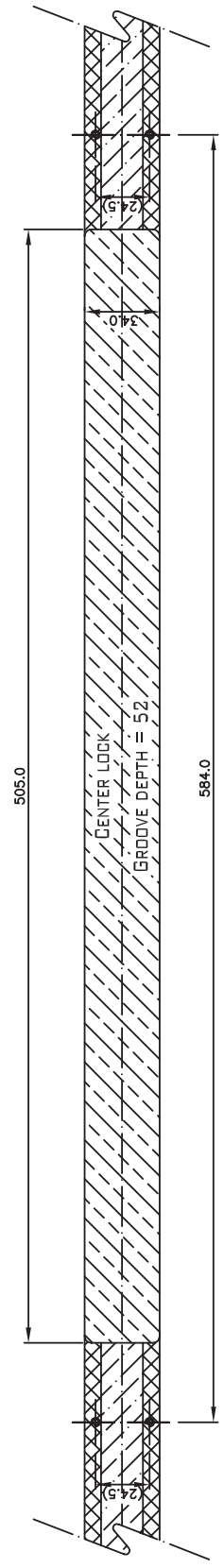
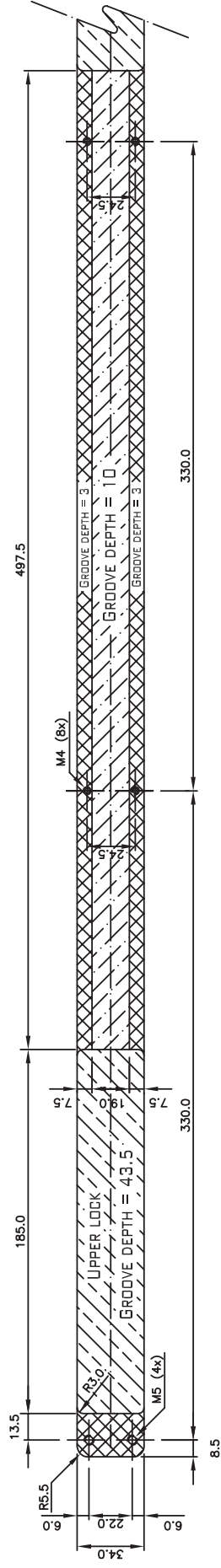
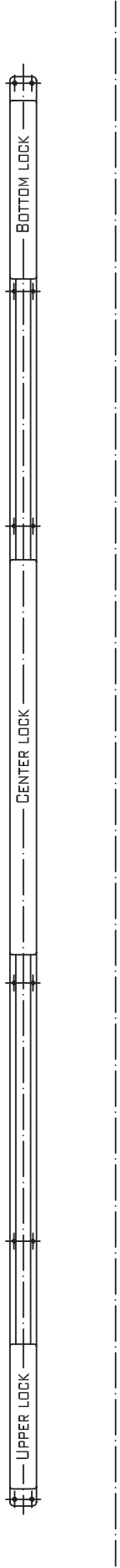
Mounting possibilities TRILOCK

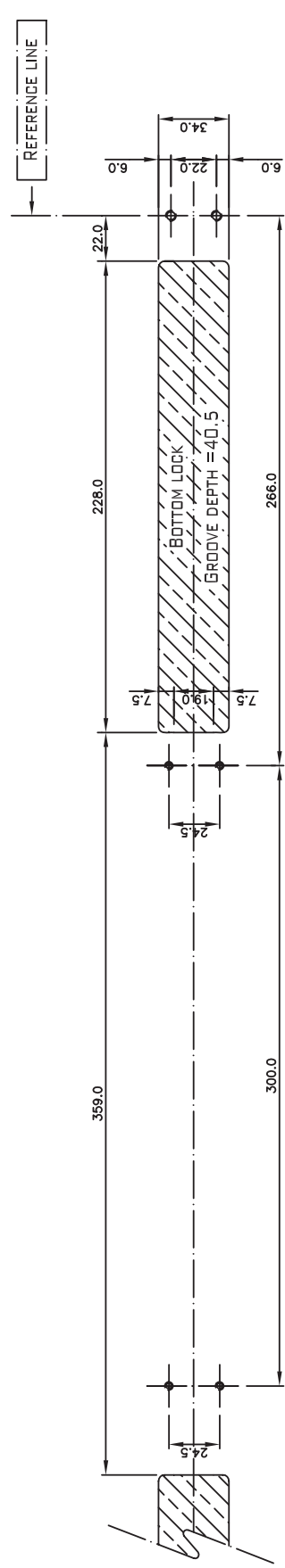
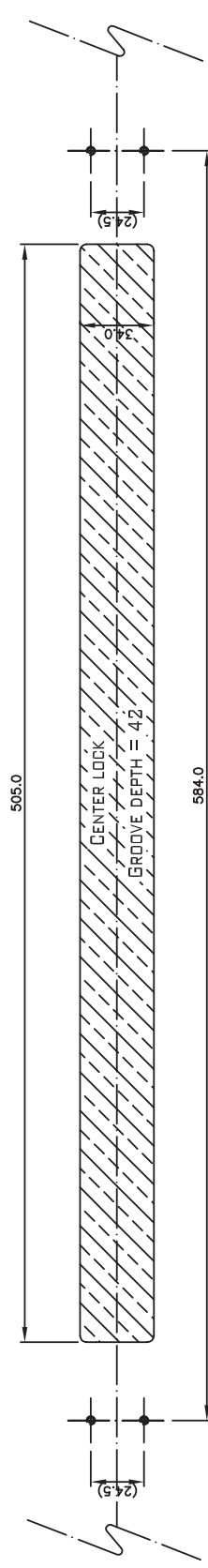
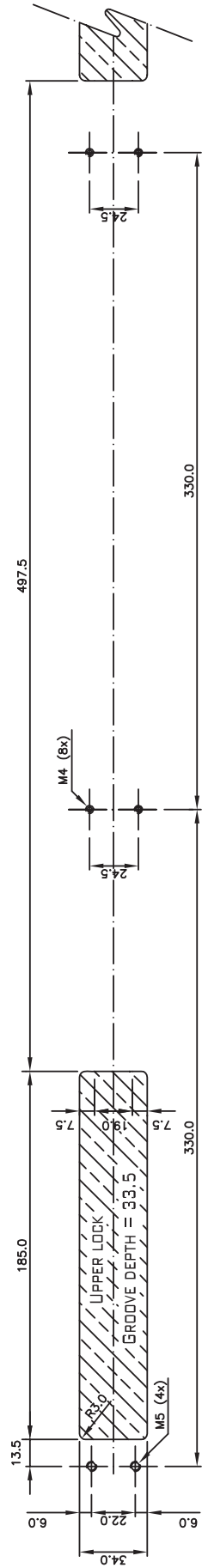
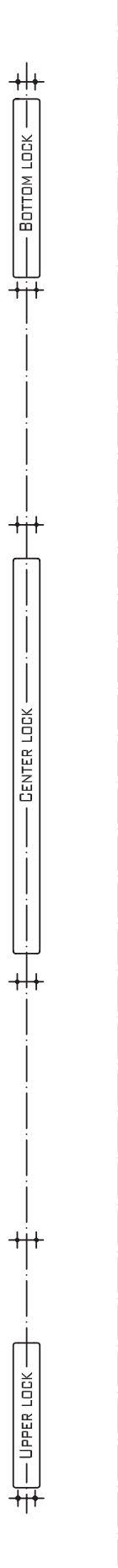


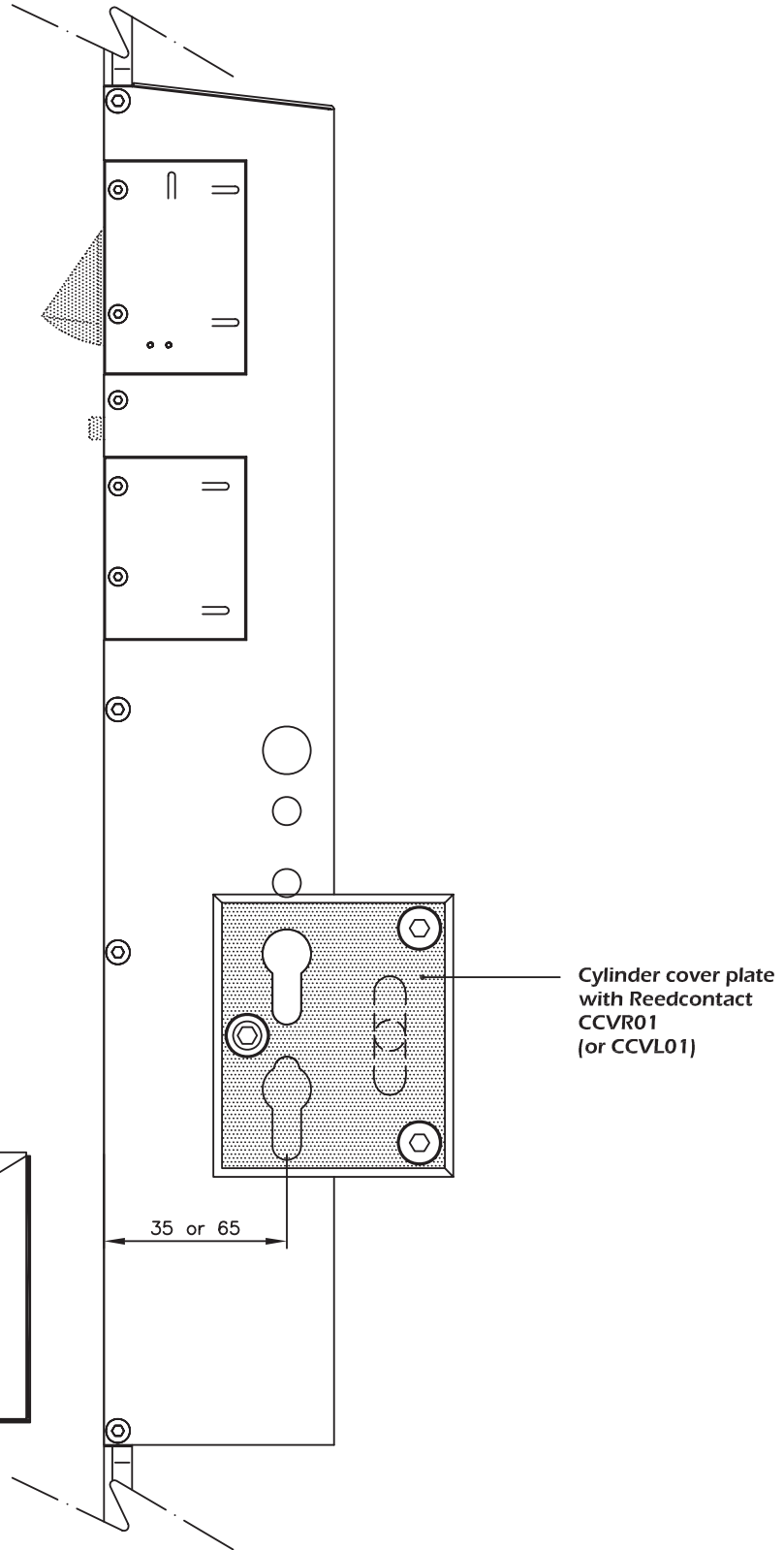




Flush mounted

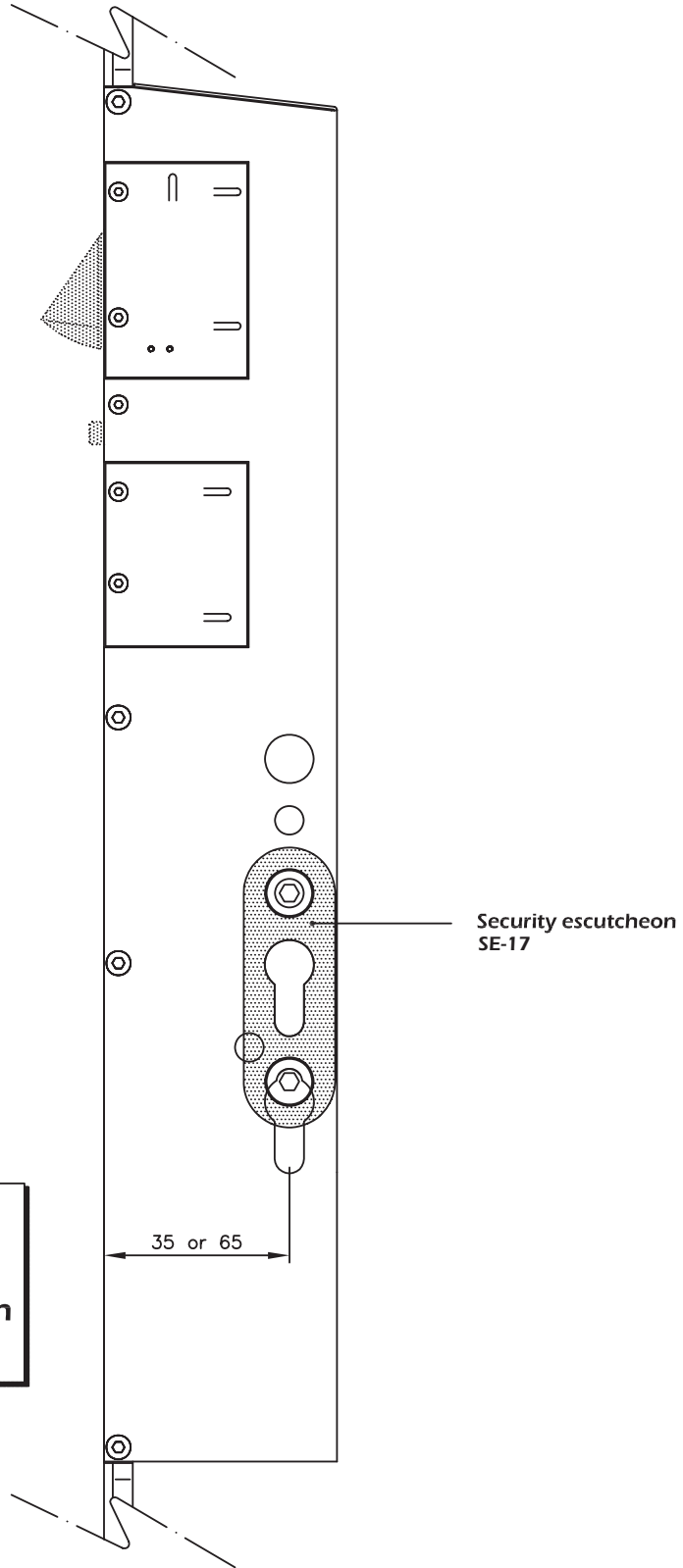






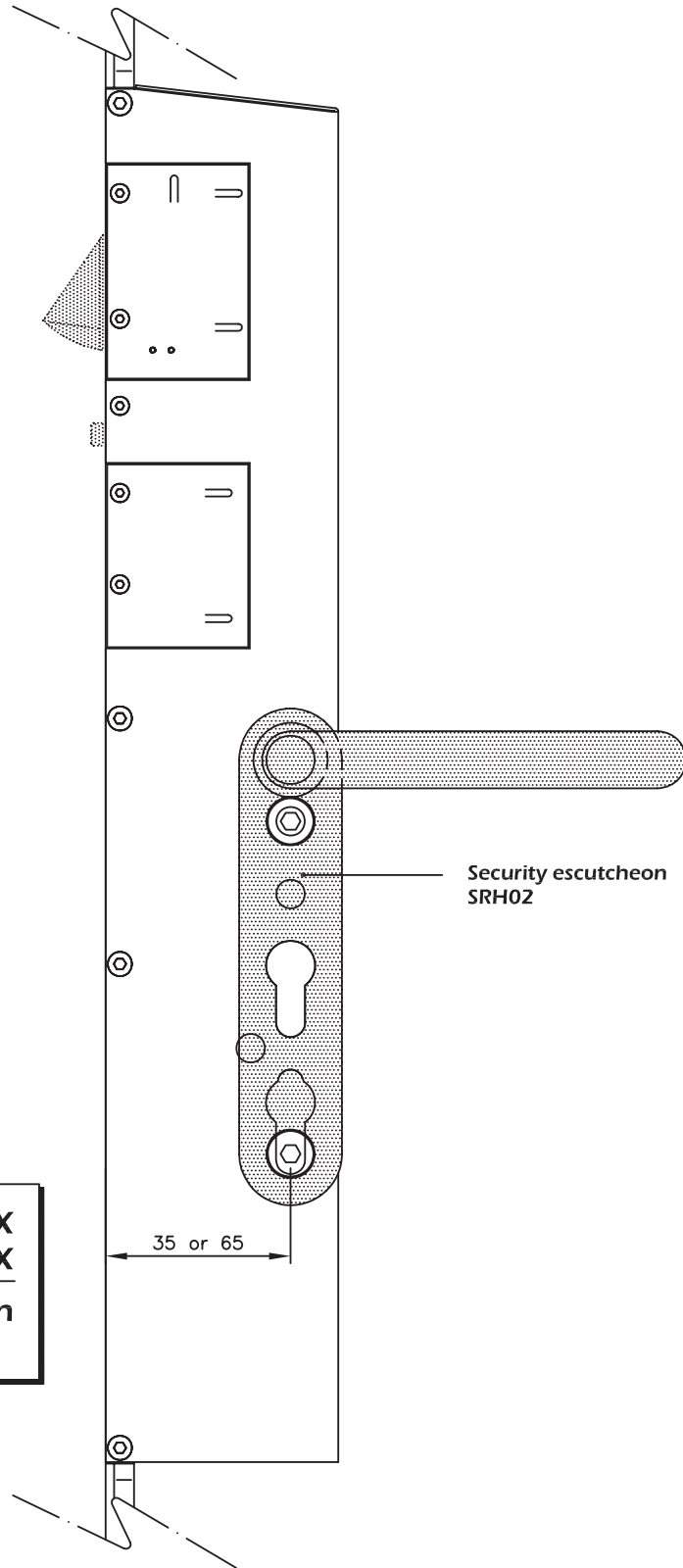
T3- 3517 SE/T3-3517 SX
T3- 6517 SE/T3-6517 SX
with cylinder cover plate
with Reedcontact
for prisons
CCVR01 (or CCVL01)

Hardware for TRILOCK T3-3517 and T3-6517
Euro Cylinder 17mm



T3- 3517 SE/T3-3517 SX
T3- 6517 SE/T3-6517 SX
with security escutcheon
SE-17

Hardware for TRILOCK T3-3517 and T3-6517
Euro Cylinder 17mm



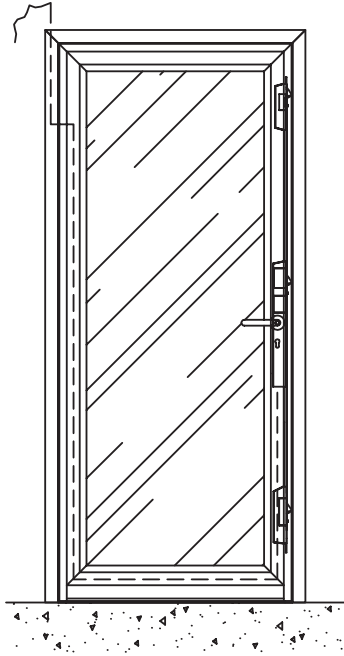
Security escutcheon
SRH02

T3- 3517 HE/T3-3517 HX
T3- 6517 HE/T3-6517 HX
with security escutcheon
SRH02

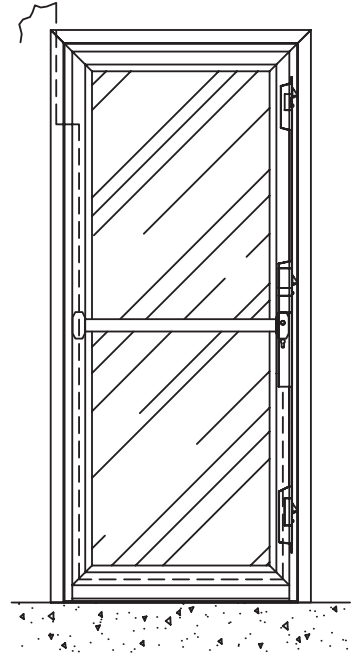
Hardware for TRILOCK T3-3517 and T3-6517
Euro Cylinder 17mm



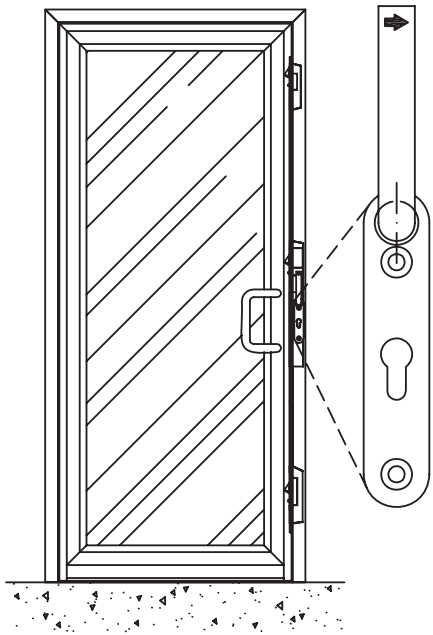
Installation options TRILOCK



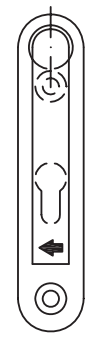
TRILOCK fitted to the door.
Mechanical opening by key or doorhandle at the inside.



TRILOCK fitted to the door.
Mechanical opening by key or push bar at the inside.

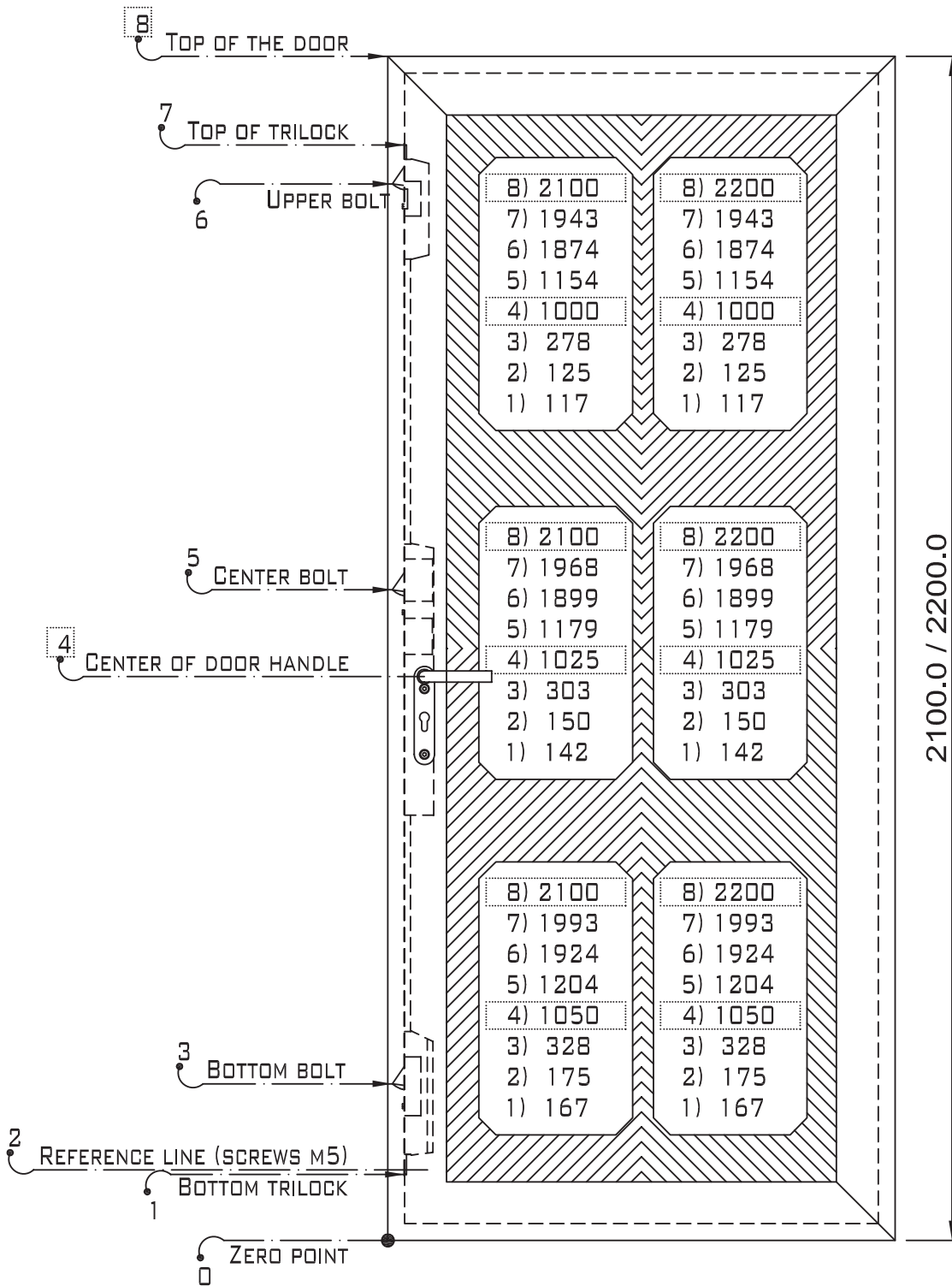


Or



TRILOCK fitted in the jamb of the door frame (no door loop needed).
Mechanical opening by key or doorhandle at the inside.

Distance of mounted trilock from the bottom upwards





Direction of door

